

KR-BKZDIN

Z-Shape Cabinet Brackets



Overview

KR-BKZDIN brackets offer the installation of EX78900/EX78900E/EX78000/EX73900/EX73900E inside rack or cabinets virtually anywhere with open space. Vertical and horizontal configurations allow device installation in unique spaces. Din-rail configurations for KR-BKZDIN gives brackets the ability to attach even more devices.

EtherWAN — "When Connectivity is Crucial."

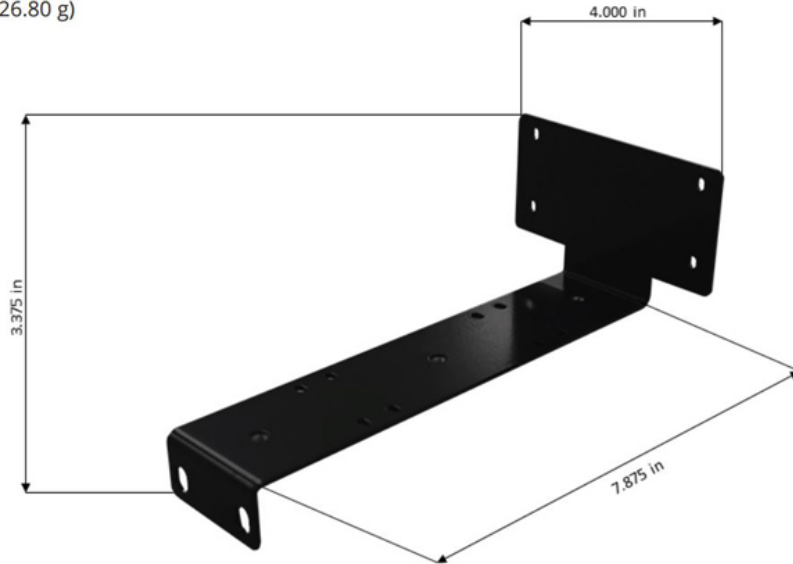
Highlights

+ Dynamic Install

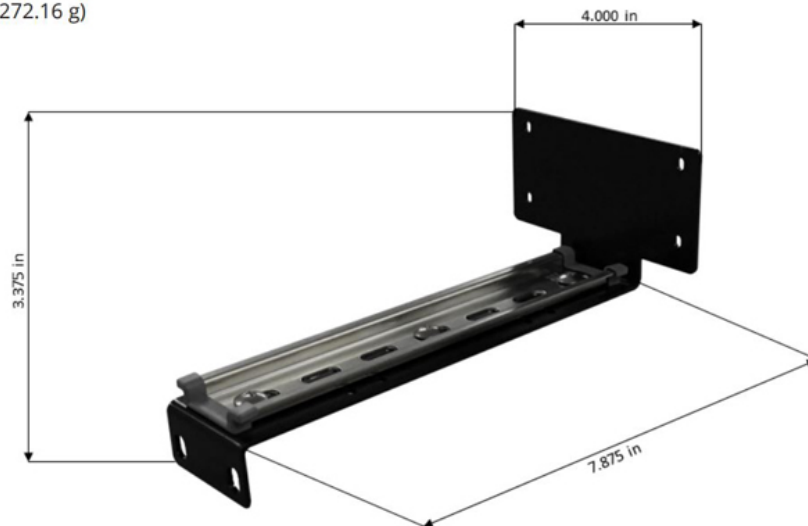
- Install anywhere in open rack or cabinet space
- Vertical and horizontal configurations for larger installation flexibility
- Din Rail configuration support for EX78900/EX78900E/EX78000/EX73900/EX73900E

Technical Specifications

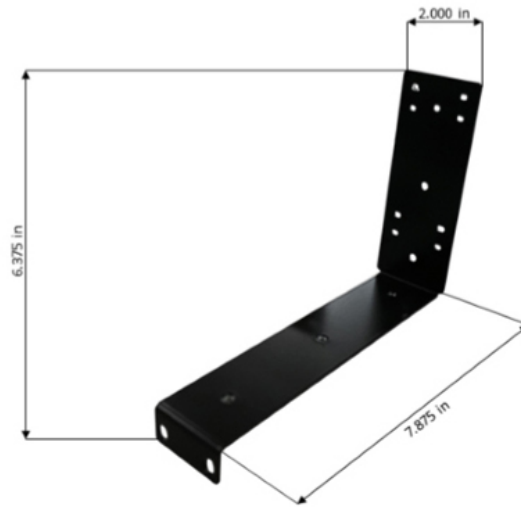
Product Number: KR-BKZDIN
Build Material: Metal
Color: Black
Weight: .50lb (226.80 g)



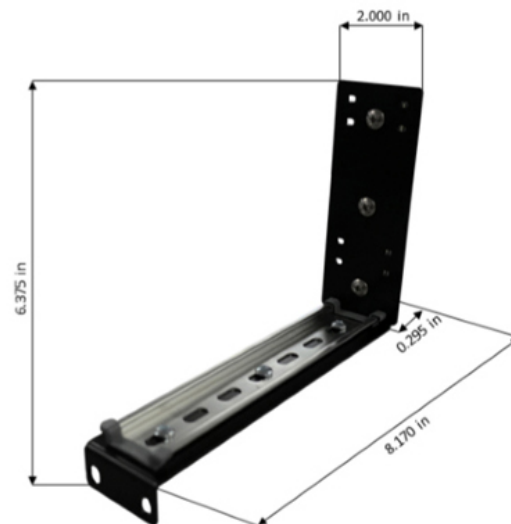
Product Number: KR-BKZDIN-D
Build Material: Metal
Color: Black
Weight: .60lb (272.16 g)



Product Number: KR-BKZDIN2
Build Material: Metal
Color: Black
Weight: .55lb (248.48 g)



Product Number: KR-BKZDIN2-D
Build Material: Metal
Color: Black
Weight: .80lb (362.88 g)



Application



Most cabinets do not utilize the empty spaces in the back.



Our brackets allow for the installation of non-rack mount switches.



Devices can be attached directly to the bracket.



Din Rail configuration allows Din Rail devices to be mounted, which frees up more space for more devices.

Ordering Info

+ Model

KR-BKZDIN	Z-Shaped Vertical Bracket
KR-BKZDIN-D	Din Rail configuration for Z-Shaped Vertical Bracket
KR-BKZDIN2	Z-Shaped Horizontal Bracket
KR-BKZDIN2-D	Din Rail configuration for Z-Shaped Horizontal Bracket



© EtherWAN Systems, Inc. All rights reserved. 20241001

EtherWAN is constantly developing and improving products. Specifications are subject to change without notice and without incurring any obligation.