

# EMC1200R Series

12-Bay Media Converter System



## Overview

The EMC1200R is a 12-Bay chassis system specifically designed to house and power selected EtherWAN Media Converters and Ethernet Extenders in a 19" rack enclosure.

The dynamic selections of EtherWAN's media converter and Ethernet extender family provide flexible system combinations. Each bay is electrically isolated from each other with fused over-current protection resulting in unprecedented reliability. The redundant internal power supplies provide both power redundancy and load sharing. Support for AC power input allows the EMC1200R to be used worldwide. With its solid metal enclosure, standard 19" rack-mount and one-unit height design, the EMC1200R is ideal for interconnecting disparate network media and extending Ethernet beyond its boundaries.

EtherWAN — "When Connectivity is Crucial."

## Highlights

### + 12-Bay Rackmount Chassis

Powers up 12 media converters with redundant terminal block power inputs

### + Supports EtherWAN's Ethernet extenders and media converters

Supported media converter Model include, EL2321, EL2211, EL2315, EM120 and EL100/EL200 Series

# Specifications

## + Power

### Input

100-240VAC, 50-60Hz Internal Universal PSU

### Power Consumption

9.4Watts, system w/o media converters, but with redundant PSUs.

For total EMC1200R power consumption, please calculate with the selected media converters' datasheets.

## + Environment

### Operating Temperature

0 to 45°C (32 to 113°F)

### Storage Temperature

-20 to 70°C (-4 to 158°F)

### Ambient Relative Humidity

5% to 95% (non-condensing)

## + Mechanical

### Casing

Metal Case

### Dimensions

440 x 243 x 45mm (W x D x H)  
(17.32" x 9.57" x 1.77")

### Weight

3.1Kg (6.82lbs)

### Installation

Rack mounting

## + Regulatory Approvals

### ISO

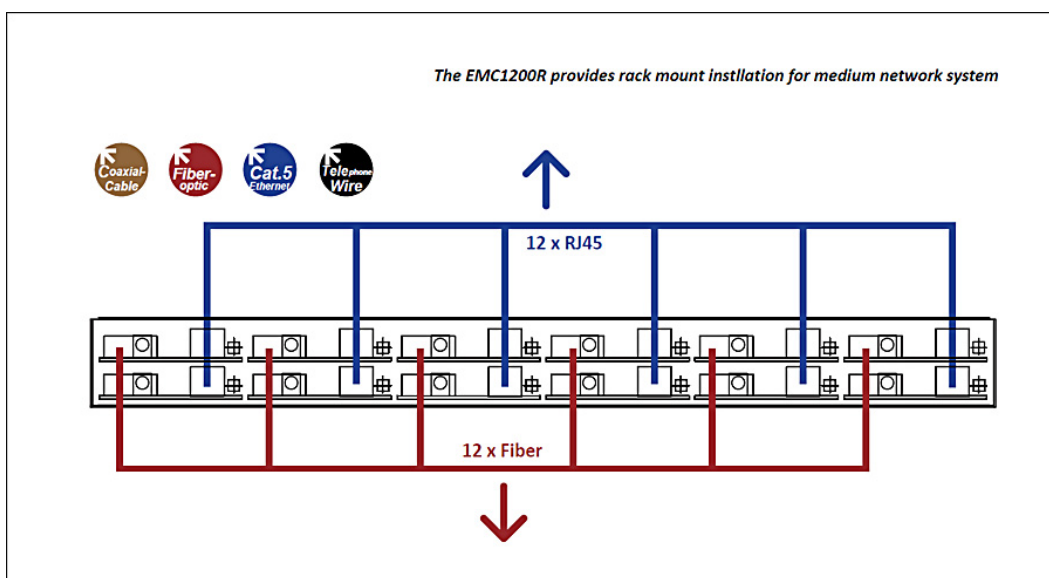
Manufactured in an ISO 9001 facility

### Emission Compliance

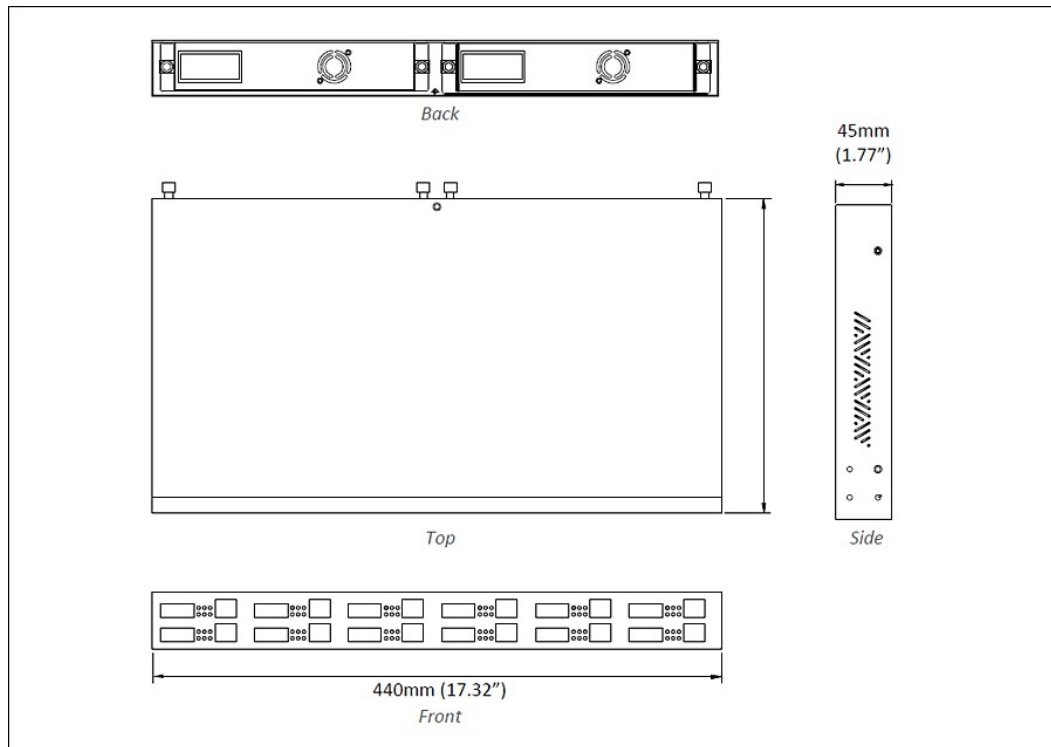
FCC Part 15B Class A

CE Mark Class A

# Application



## Dimensions



## Ordering Info

### + Model

EMC1200RC	12-Bay EL100C Media Converter System
EMC1200RT	12-Bay EL100T Media Converter System
EMC1220RCC-15	12-Bay EM120MCC-15 Media Converter System

#### Notes:

- \* ST fiber also available in Single Mode, 20Km
- \* SC fiber also available in Single Mode, 20/40/60/100/120Km
- \* SC fiber also available in WDM Type A and Type B, Single Mode 20/40Km, and Multi Mode 2/5Km
- \* More SFP options are available upon request. Please visit [Etherwan.com](http://Etherwan.com) for the latest SFP module datasheet.

### + Model

EMC1200RGS	12-Bay Gigabit SFP Media Converter System
EMC1230RTSC	12-Bay EL2211-31 Media Converter System
EMC1230RTL-10	12-Bay EL2211-A1 Media Converter System
EMC1230RTL-20	12-Bay EL2211-B1 Media Converter System

#### Notes:

- \* SC fiber also available in WDM Type A and Type B, Single Mode 10/20Km, and Multi Mode 2/5Km
- \* More SFP options are available upon request. Please visit [Etherwan.com](http://Etherwan.com) for the latest SFP modules datasheet.



© EtherWAN Systems, Inc. All rights reserved. 20240920

EtherWAN is constantly developing and improving products. Specifications are subject to change without notice and without incurring any obligation.