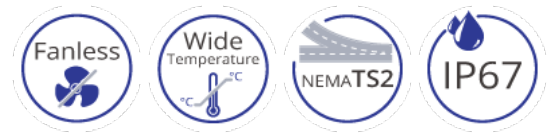


EPOW-54-600

Hardened NEMA TS2 Power Supply 54V 600W



Overview

With a wide operating temperature range of -40 to 75°C (-40 to 167°F) and built with an aluminum fanless design, EtherWAN's EPOW-54-600 is a 54V 600W hardened power supply designed to operate in the most extreme environments. The EPOW-54-600 has a 600W power budget and built in over-voltage and short-current protection, making it a perfect and reliable solution for PoE applications.

EtherWAN — "When Connectivity is Crucial."

Highlights

+ Reliable Power Delivery

- Active built-in PFC for max power distribution efficiency
- Constant voltage across output terminal

+ Hardened-Grade for Non-Ventilated & Harsh Environments

- Wide operating temperature range -40 to 75°C (-40 to 167°F)
- Fanless operation
- IP67 total dust protection and water resistance

+ NEMA TS2

- Complies with NEMA TS1 & TS2 electrical and temperature requirements for traffic control equipment
- High impact, thermal shock, and electrical noise resistance

+ Easy Install

- AC and DC cables pre-attached
- Mounting holes to install outdoors and or in cabinets

Hardware Specifications

+ Power

Input

100-277 VAC

Output

54 VDC

Protection

OVP (Over Voltage Protection)
<305 VAC
SCP (Short Circuit Protection)

+ Physical

Casing Material

Aluminum

IP Rating

IP67 (Dust Tight and Waterproof)

Dimensions

260 x 120 x 55mm (W x D x H)
10.24" x 4.73" x 2.17"

Weight

6.62lbs (3kg)

Installation Type

Wall mounting

+ Environmental

Operating Temp.

-40 to 75°C (-40 to 167°F)

Storage Temp.

-45 to 85°C (-49 to 185°F)

Relative Humidity

10% to 95% (non-condensing)

Operation Humidity

20-90%

Vibration Resistance

10~500HZ, 2G 10min/period
X, Y, Z line per hour

+ Regulatory

Standard

EN 61347-1
EN 61347-2-13
EN 62493

EMC Emission

EN 55015
EN 61000-3-2

EMC Immunity

EN 55015
EX 61000-4-2,3,4,5,6,8,11

+ Warranty

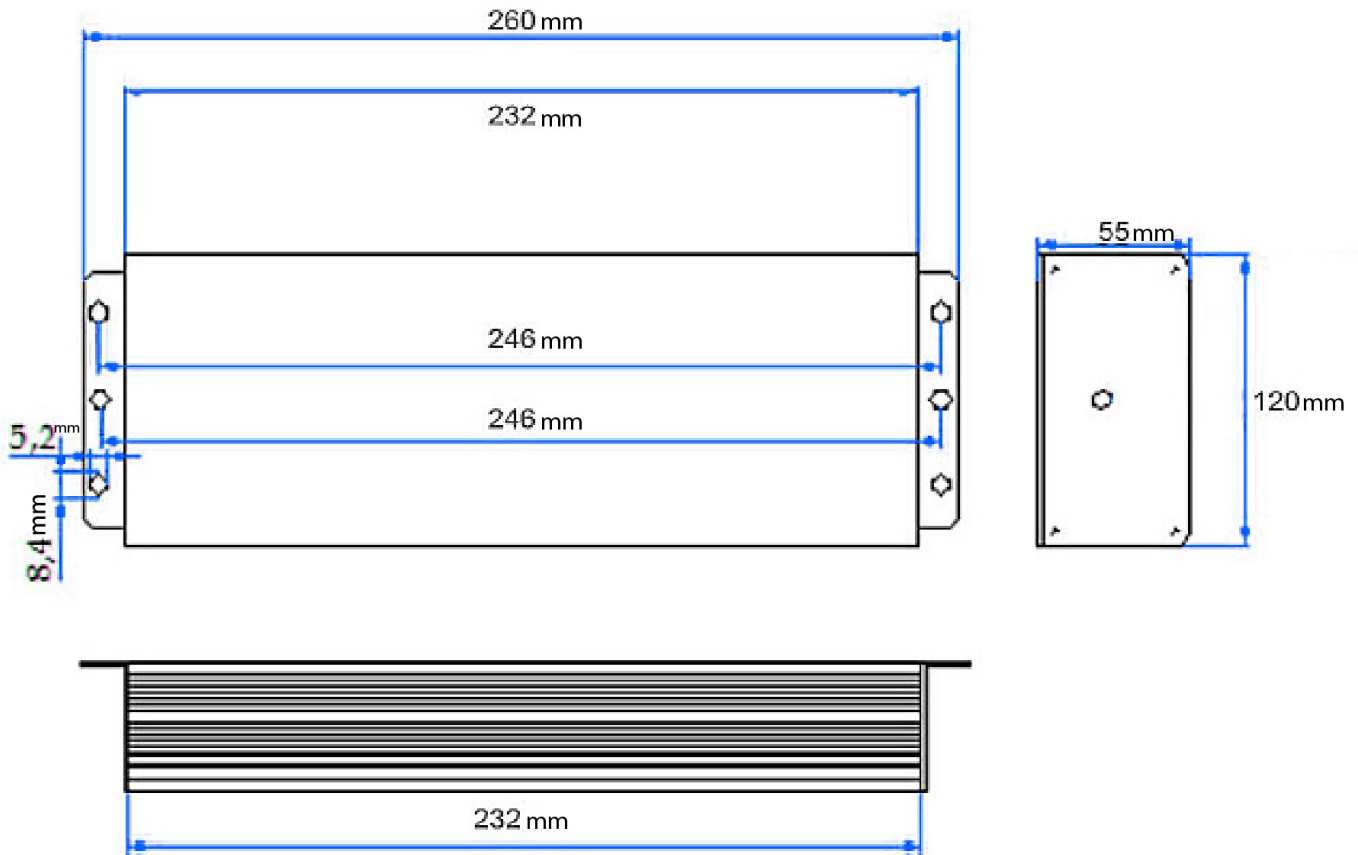
Length

3 Years

Details

www.etherwan.com/support/warranty-policy

Dimensions



Ordering Info

+ Model

EPOW-54-600

Power Supply, Hardened (-40°C - +75°C) External 100-277 VAC Input; NEMA-TS2 rated; 600W, 54VDC, 0-11.1A with Open Wire (US Plug)

