

EX78900H 系列

強固級網管型 10 - 16 埠 Gigabit PoE 乙太網路交換器



產品亮點

+ 高頻寬彈性配置

8 或 12 個 10/100/1000BASE-T(X) 高速連接埠
 多達 4 個 100M/1000M SFP+ 光纖上行鏈路連接埠
 全雙工運行的全容量交換

+ 適用於不通風和惡劣環境的強固等級

-40 至 75°C(-40 至 167°F)的寬工作溫度範圍
 無風扇設計
 高衝擊、耐熱和電氣干擾抵抗力

+ 第三層網管功能

靜態路由、RIP v1/v2, 和 OSPF
 VRRP 虛擬路由器備援協定
 廣播流量減輕

+ PoE 乙太網供電功能

IEEE 802.3bt 支援每埠最高 90W，總輸出功率達 360W
 PoE 看門狗監控設備的連接狀態與自訂排程

+ 管理/安全功能

連接埠控制，SFTP 安全檔案傳輸協定
 以 802.1x 連接埠基礎之網路登入控制以及透過 RADIUS 的遠端身份驗證
 使用 eVue™ 和 eLite™ 設定和監控

+ 服務支援

提供技術支援
 免費韌體升級和通知
 有限終身保固

產品介紹

益網科技 EX78900H 系列是強固級網管型導軌式 PoE 太網交換機平台。配備多達 12 個 90W 功率的 Gigabit PoE 連接埠，支援 IEEE 802.3bt 標準協議以及 4 個雙速率 Gigabit SFP 連接埠，同時支援 IEEE 1588v2 標準的精確時間通訊協定，利用網路封包及時間戳記進行網路時間同步。為城市基礎設施、交通、安全和其他領域的重要網路連結、提供靈活、高速和可靠的通訊表現。

EtherWAN — "When Connectivity is Crucial."

產品特色

+ Interface

CLI, Telnet, Web GUI

+ Management

SFTP (Secured FTP) support
Configuration backup / restore
DHCP Server/Client
RMON (Remote Monitoring)
Port Mirroring
NTP (Network Time Protocol) synchronization
PoE Watchdog
LLDP (Link Layer Discovery Protocol)
IPv4/IPv6
SNMP v1/v2c/v3
Modbus TCP

+ Security

MAC Address filtering
Enable/Disable port
Storm Control and Detection
DoS (Denial of Service) Attack
Port Security
IEEE 802.1x LAN Access Control
Remote authentication through RADIUS and TACACS+
Complex password support
Multi-user login and privileged access management
SSH for CLI and Telnet security
TLS and HTTPS for web security
ACL (Access Control List, up to 4096 entries)

+ Quality of Service (QoS)

Priority Queues: 8 queues per port
Traffic classification based on IEEE 802.1p CoS (Cost of Service), DSCP (Differentiated Services Code Point), WRR (Weighted Round Robin), and strict mode
Rate Limiting (Ingress/Egress)

+ Layer 2 Features

Auto-negotiation for port speed and duplex
Flow Control
IEEE 802.3x full duplex mode
Back-pressure half duplex mode

Redundant Protocols
IEEE 802.1D STP
IEEE 802.1w RSTP
IEEE 802.1s MSTP
EtherWAN's Alpha-Ring network fault recovery

VLANs
IEEE 802.1Q Tag VLANs
GVRP
GMRP

Link Aggregation
Static Trunk (4 groups)
IEEE 802.3ad LACP

IGMP Snooping v1/v2/v3

+ Layer 3 Features

IP Packet Routing
Maximum number of routes in hardware: 64 entries
Static Routing
RIP v1/v2
OSPF v2

Routing Redundancy
VRRP

+ Software Properties and Performance

Switching Fabric
32Gbps

Forwarding Rate
23.5Mpps

Max VLANs
256 (4096 VID)

Jumbo Frame Size
9KB

MAC Table Size
16K

Packet Buffer Memory
12M bits

產品規格

+ Interface

Ethernet

8 or 12 x 10/100/1000BASE-T(X)

2 or 4 x 100/1000BASE SFP

Console

1 x RJ45

Config Backup

1 x USB (Type A Connector)

Digital Input

2 x Digital Input

Wet Contact: 0-3V for State 0; 13-30V for State 1;

Max Input Current: 8mA

Dry Contact: Logic Level 1–Close to GND; Logic Level 0–Open

Alarm Contact

2 x Relay output, current capacity 0.5A/48VDC

LED Indicators

Per Unit: Power 1, Power 2

Per Port: Link/Activity (Green)

Per PoE Port: PoE Status (Orange)

+ Technology

Standards

IEEE 802.3 10BASE-T

IEEE 802.3u 100BASE-TX/100BASE-FX

IEEE 802.3ab 1000BASE-T

IEEE 802.3ad link aggregation control

IEEE 802.3z 1000BASE-SX/1000BASE-LX

IEEE 802.3x full duplex and flow control

IEEE 802.1D STP

IEEE 802.1p QoS

IEEE 802.1Q Tag VLANs

IEEE 802.1s MSTP

IEEE 802.1w RSTP

IEEE 802.1x PNAC

IEEE 802.1ab LLDP

IEEE 802.3az EEE

IEEE 802.3bt Power over Ethernet

IEEE 1588v2 PTP

Forward/Filtering Rate

14,880pps for 10Mbps

148,810pps for 100Mbps

1,488,100pps for 1000Mbps

Processing Type

Store-and-forward

Auto-negotiation

Half-duplex back-pressure and full-duplex flow control

Auto MDI/MDIX

System Memory
2Gb DDR3 SDRAM

Flash Storage
1Gb

+ Power

Input

46-57VDC Redundant (Terminal block)**

** 46-57VDC for IEEE 802.3af type 1, ≤15.4W PD devices.

52-57VDC for IEEE 802.3at/bt type 2/3, 30W, 60W PD devices.

54-57VDC for IEEE 802.3bt, type 4, 90W PD devices

Power Consumption
20W Max (without PoE)

PoE Power Output
Ports 1-12: Up to 90W/port
Power Budget: 360W

Protection
Reverse Polarity Protection

+ Physical

Casing Material
Aluminum

IP Rating
IP30

Dimensions
72 x 140 x 170mm (W x D x H)
2.8" x 5.5" x 6.7"

Weight
1.5kg (3.3lbs)

Installation Type
DIN-rail mounting

+ Environmental

Operating Temp.
-40 to 75°C (-40 to 167°F)

Storage Temp.
-45 to 85°C (-49 to 185°F)

Relative Humidity
5% to 95% (non-condensing)

MTBF
1,399,701 hours

+ Regulatory

ISO
Manufactured in ISO-9001 facility

EMI
FCC Part 15B Class A
VCCI Class A
EN 61000-6-4
EN 61000-3-2
EN 61000-3-3

EMS
EN 61000-6-2
EN 61000-4-2 (ESD)
EN 61000-4-3 (Radiated RFI)
EN 61000-4-4 (Burst)
EN 61000-4-5 (Surge)
PoE Ports: line to earth 6kV Surge
EN 61000-4-6 (Induced RFI)
EN 61000-4-8 (Magnetic field)

Safety
UL 61010

Traffic
NEMA TS2

Rail
EN 50121-4

Vibration

IEC 60068-2-6

Shock

IEC 60068-2-27

Free Fall

FED STD 101C Method 5007.1

Industrial

EN 50121-4

+ Warranty

Length

Limited Lifetime

Details

www.etherwan.com/support/warranty-policy

+ What's Included

Device

Ethernet Switch

Cables

1 Console Cable

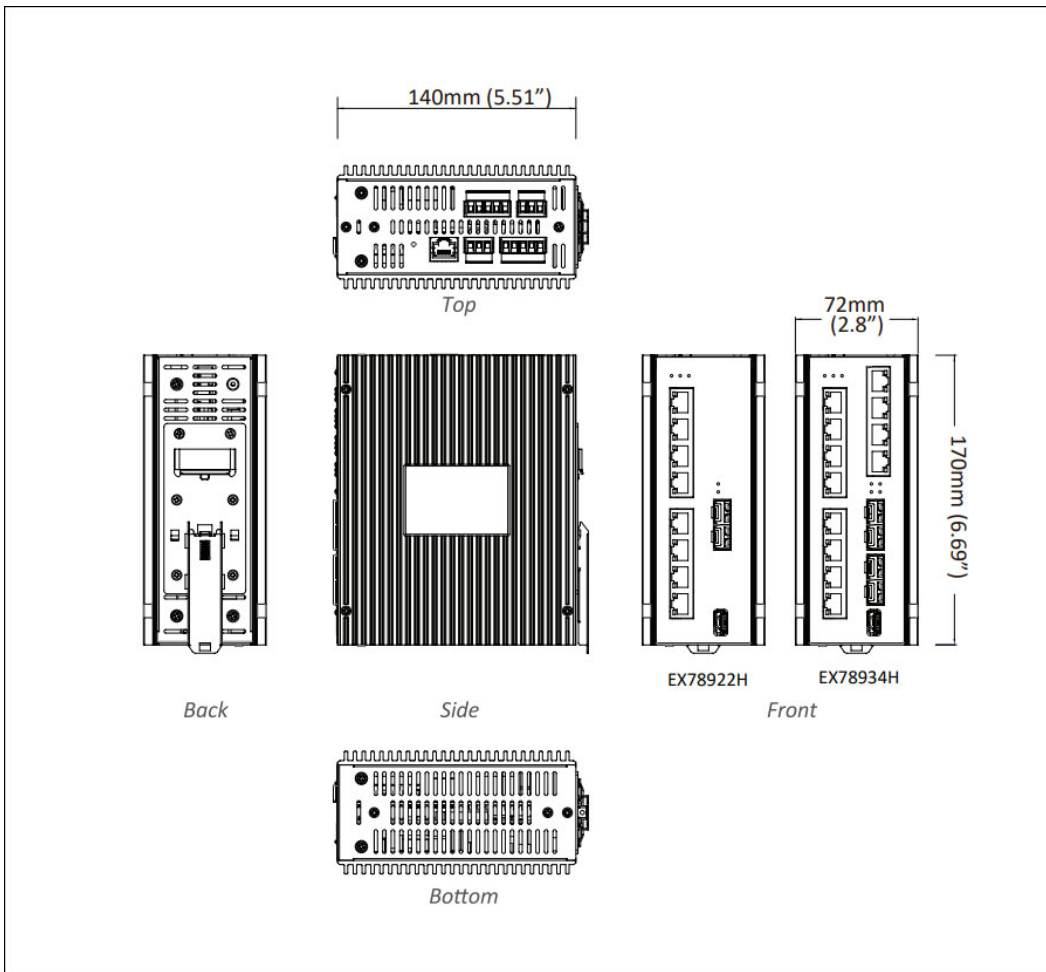
Installation

Mounting brackets, screws

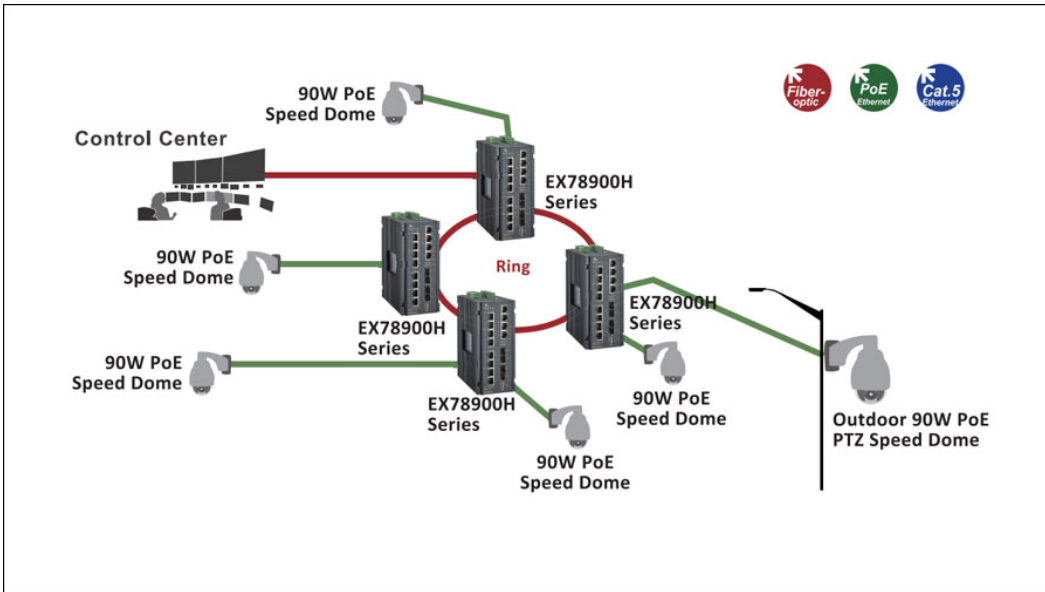
Documentation

Quick Install Guide

產品尺寸圖

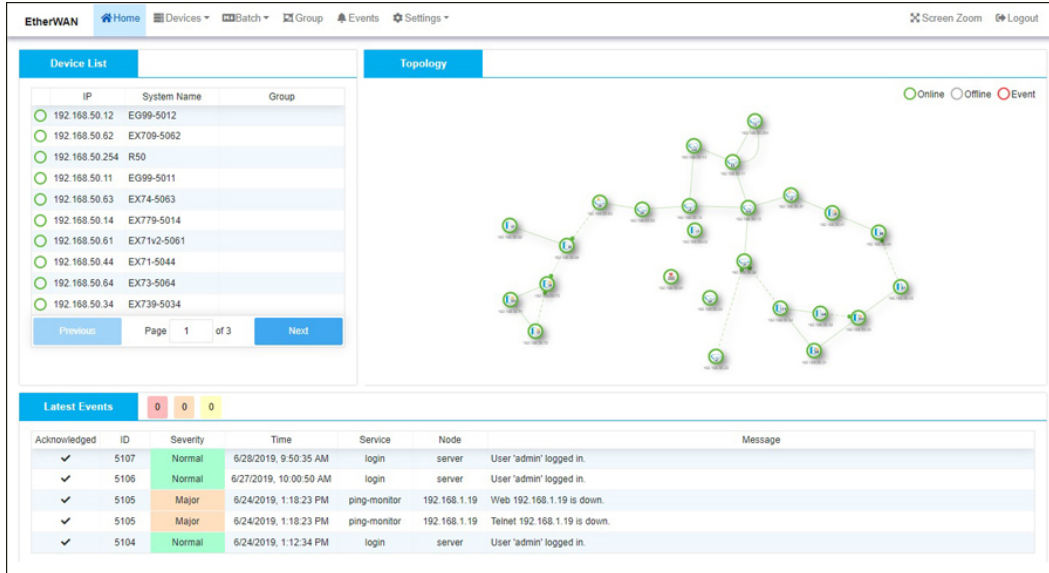


應用圖



管理軟體

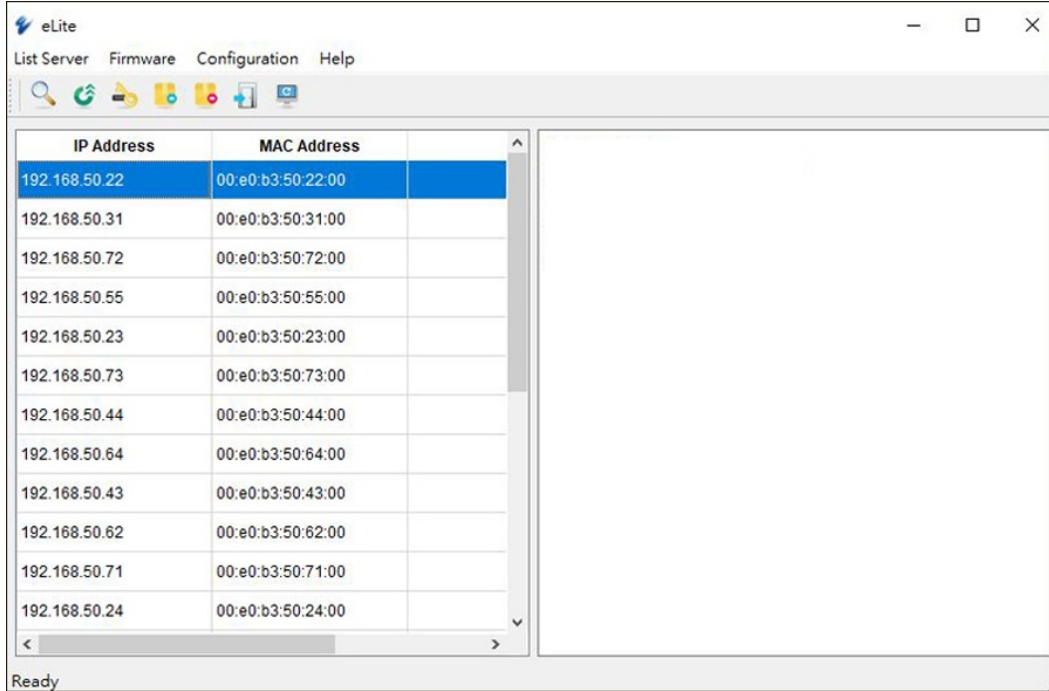
網路管理 eVue™ 網路配置和監控工具
 網路探索 eLite™ 網路偵測 IP 配置工具



The screenshot shows the EtherWAN web interface. On the left, there is a 'Device List' table with columns for IP, System Name, and Group. On the right, there is a 'Topology' diagram showing a network of interconnected devices. Below these, there is a 'Latest Events' section with a table of system events.

IP	System Name	Group
192.168.50.12	EG99-5012	
192.168.50.62	EX709-5062	
192.168.50.254	R50	
192.168.50.11	EG99-5011	
192.168.50.63	EX74-5063	
192.168.50.14	EX779-5014	
192.168.50.61	EX71v2-5061	
192.168.50.44	EX71-5044	
192.168.50.64	EX73-5064	
192.168.50.34	EX739-5034	

Acknowledged	ID	Severity	Time	Service	Node	Message
✓	5107	Normal	6/28/2019, 9:50:35 AM	login	server	User 'admin' logged in.
✓	5106	Normal	6/27/2019, 10:00:50 AM	login	server	User 'admin' logged in.
✓	5105	Major	6/24/2019, 1:18:23 PM	ping-monitor	192.168.1.19	Web 192.168.1.19 is down.
✓	5105	Major	6/24/2019, 1:18:23 PM	ping-monitor	192.168.1.19	Telnet 192.168.1.19 is down.
✓	5104	Normal	6/24/2019, 1:12:34 PM	login	server	User 'admin' logged in.



The screenshot shows the eLite application window. It has a menu bar with 'List Server', 'Firmware', 'Configuration', and 'Help'. Below the menu is a toolbar with various icons. The main area contains a table with IP addresses and MAC addresses.

IP Address	MAC Address
192.168.50.22	00:e0:b3:50:22:00
192.168.50.31	00:e0:b3:50:31:00
192.168.50.72	00:e0:b3:50:72:00
192.168.50.55	00:e0:b3:50:55:00
192.168.50.23	00:e0:b3:50:23:00
192.168.50.73	00:e0:b3:50:73:00
192.168.50.44	00:e0:b3:50:44:00
192.168.50.64	00:e0:b3:50:64:00
192.168.50.43	00:e0:b3:50:43:00
192.168.50.62	00:e0:b3:50:62:00
192.168.50.71	00:e0:b3:50:71:00
192.168.50.24	00:e0:b3:50:24:00

訂購型號

+ Model

EX78934H-0VB	12 埠 10/100/1000BASE-T(X) PoE + 4 埠 100/1000BASE SFP
EX78924H-0VB	8埠 10/100/1000BASE-T(X) PoE + 4 埠 100/1000BASE SFP
EX78922H-0VB	8埠 10/100/1000BASE-T(X) PoE + 2 埠 100/1000BASE SFP

+ Accessories

Hardened 100BASE SFP Modules	www.etherwan.com/products/sfp-fiber-transceiver
Hardened Gigabit SFP Modules	www.etherwan.com/products/sfp-fiber-transceiver
DIN-Rail Power Supplies	www.etherwan.com/products/din-rail-power-supply (*)
*Recommended Power Supply	NDR-480-48 480W 48VDC DIN-Rail Power Supply

