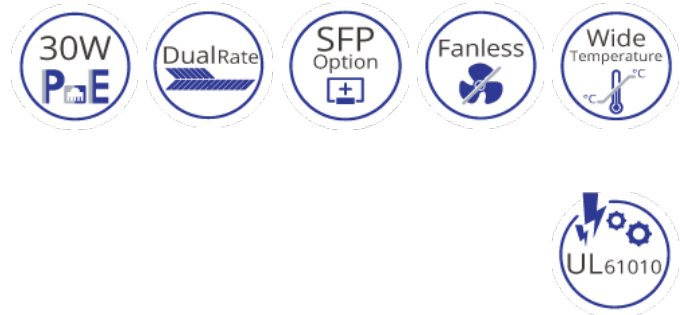


EX41922-T

強固級非網管 2 埠10/100/1000BASE PoE + 2 埠100/1000SFP 乙太網路交換器



產品介紹

EX41922 系列為一款輕巧型的強固級非網管 Gigabit 乙太網路交換器，配備 2 個 10/100/1000BASE RJ-45 網路埠，支援供電 (PoE) 功能。另有 2 個 100/1000BASE SFP光纖插槽可支援長距離傳輸。兩個傳輸 SFP 介面提供 100 或 1000SFP 兩種速率，可透過指撥鍵 (DIP switch) 設定。同時也支援 daisy chain 架構，若搭配益網科技網管型設備之架構，更可支援 Alpha-chain 網路備援協定。

EX41922-T 提供每埠最高可達 30 瓦 PoE，總供電瓦數為 60瓦。EX41922-T 之功能相當完整，其支援 10K Jumbo Frame support、full wire speed Gigabit throughput、QoS support，並符合 eco-friendly IEEE 802.3az EEE (Energy Efficient Ethernet) 標準。具備了強固級、高效能及節能等高性能，EX41922-T 是網路延伸規劃中最具彈性且最可靠的解決方案。

EtherWAN — "When Connectivity is Crucial."

產品亮點

+ 強固等級設計

寬溫操作 (-40 到75°C)
雙備援電源輸入
支援鋁軌式安裝

+ 光纖介面連接

最高可支援兩埠 100/1000BASE SFP 可搭配 daisy chain 或 Alpha-chain 之應用
可透過 DIP 指撥器調整速率為 100BASE 或 1000BASE

+ 斷線告警

透過指撥開關設定告警，當發生斷電或斷線情形將發出告警至使用者端

+ 支援全 Gigabit 頻寬及 Jumbo frame

Gigabit 全線速傳輸，滿足高頻寬需求之應用
Jumbo frames 最高可支援 10K bytes 以強化傳輸效能

產品規格

+ Technology

Standards

IEEE802.3 10BASE-T
IEEE802.3u 100BASE-TX/100BASE-FX
IEEE802.3ab 1000BASE-T
IEEE802.3z 1000BASE-SX/1000BASE-LX
IEEE802.1x, Full duplex flow control
IEEE802.1az Energy Efficient Ethernet

Forward and Filtering Rate

14,880pps for 10Mbps
148,810pps for 100Mbps
1,488,100pps for 1000Mbps

Packet Buffer Memory

1MB

Processing Type

Store-and-Forward
Auto Negotiation
Half-duplex back-pressure and IEEE802.3x full-duplex flow control
Auto MDI/MDIX

Jumbo Frame

10K bytes

Address Table Size

8K MAC addresses

Broadcast Storm Protection Threshold

Limit 15,000 packets per second.

+ Power

Input Voltage

Redundant power inputs; Terminal Block:
52–57VDC for PoE

Power Consumption

63.6W@52VDC, 63.8W@57VDC
PoE Power budget: 60W

Power Technology

Alternative A
Pins 1/2(+), 3/6(-)

+ Mechanical

Casing

Metal case
IP30

Dimensions

42 x 90 x 100mm (W x D x H)

(1.65" x 3.54" x 3.93")

Weight
0.37Kg (0.82lb)

Installation
DIN-Rail

+ Interface

Ethernet Ports

10/100/1000BASE-T: 2 ports
100/1000BASE SFP: 2 ports

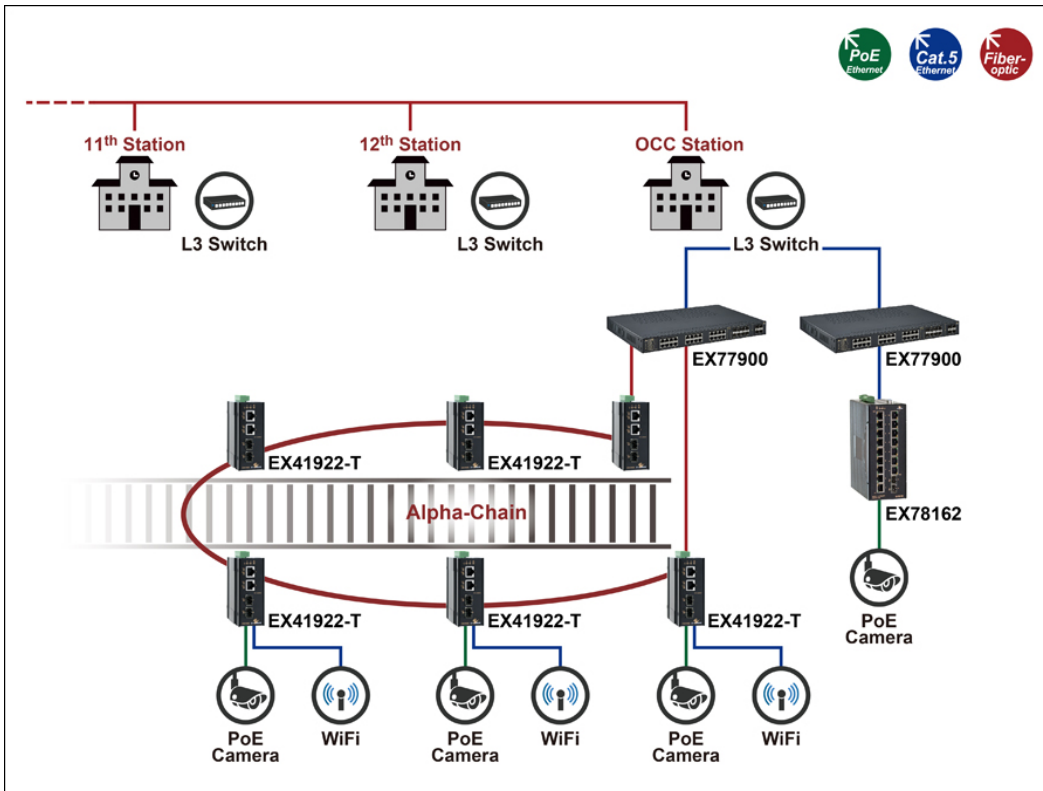
LED Indicators

Per Unit: Power1 (Green), Power2 (Green), Alarm (Red)
Per Port: Link & Activity (Green)
Per PoE Port: PoE (Amber)

DIP Switches

Enable/Disable Port fault alarm, SFP port on 100BASE.

產品應用圖



Current 0.5A/48VDC
and normal open

F)
F)
ity
sing)

ls

9001 facility

EN 61000-6-4

EMS

EN 61000-6-2

- EN 61000-4-2 (ESD Standards)
- EN 61000-4-3 (Radiated FRI Standards)
- EN 61000-4-4 (Burst Standards)
- EN 61000-4-5 (Surge Standards)
- EN 61000-4-6 (Induced RFI Standards)
- EN 61000-4-8 (Magnetic Field Standards)

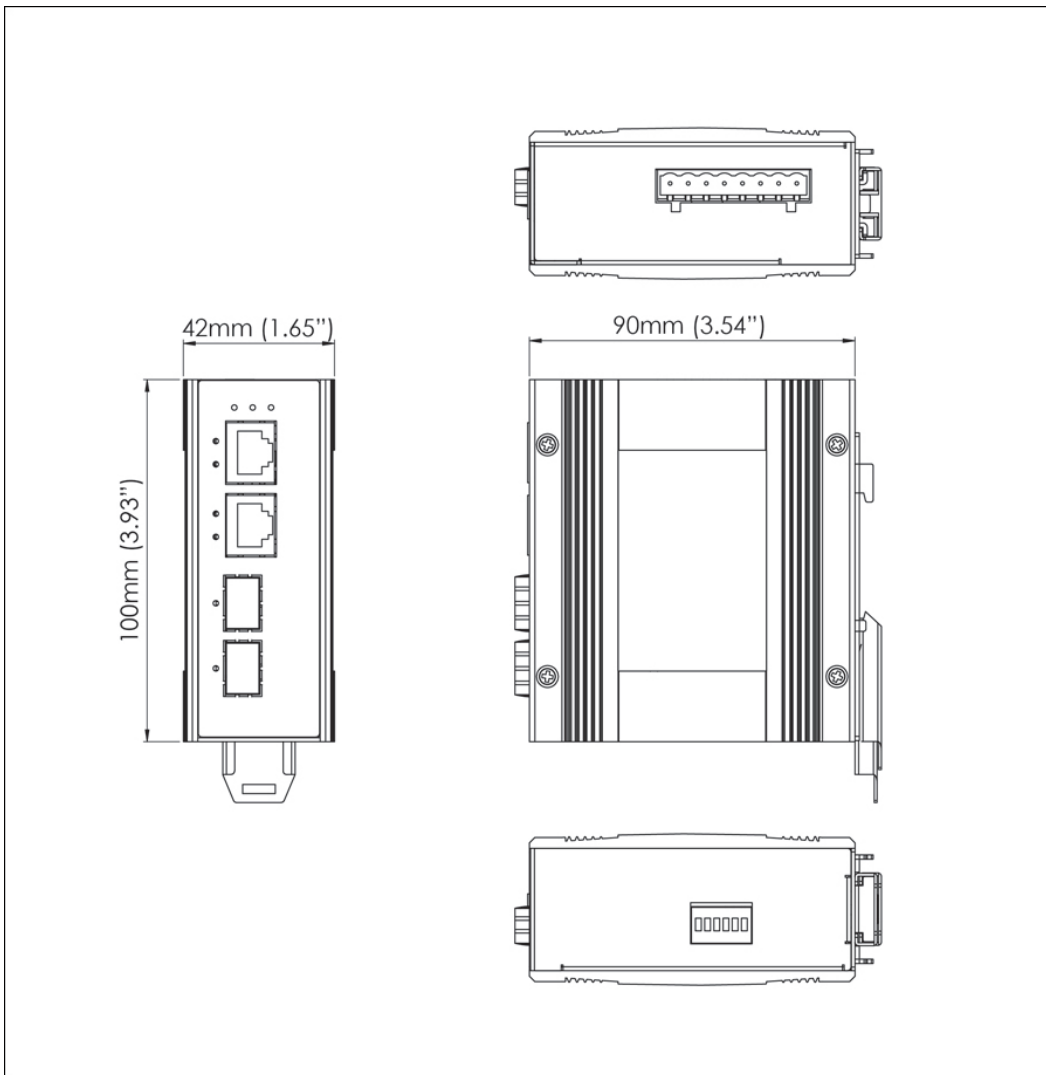
Environmental Test Compliances

IEC 60068-2-6 Fc (Vibration)

IEC 60068-2-27 Ea (Shock)

FED STD 101C Method 5007.1 (Free fall w/
package)

產品尺寸圖



訂購型號

型號

EX41922-T	2-port 10/100/1000Base-T PoE +2-port 100/1000 SFP Hardened Unmanaged Ethernet Switch
-----------	--

* DIN-Rail mounting kit included.

