



**EtherWAN**

[staging-ed9.hellosanta.tw/jp/node/1348](http://staging-ed9.hellosanta.tw/jp/node/1348) EX42395AT

EX42395AT

Hardened Unmanaged 4-Port Gigabit PoE & 2-Port Gigabit SFP/RJ45 Combo Ethernet Switch





## Overview

EtherWAN's EX42395AT is a hardened unmanaged PoE switch which can be wall or DIN-rail mounted. 4 gigabit PoE ports provide up to 30W output per port with a PoE power budget of 120W, ensuring that the maximum possible power is delivered to every device at all times. 2 SFP/RJ45 combo uplink ports provide flexibility for data transmission and cascading. The EX42395AT provides the power required to support various security and other network applications, along with flexibility, speed, and reliability to support networks.

EtherWAN — "When Connectivity is Crucial."

## Highlights

### High-Power PoE (Power over Ethernet)

- Up to 30W output per port for various security, LED lighting, and other applications
- Total PoE power budget of 120W
- Backward compatible with 802.3af devices

### Hardened-Grade for Non-Ventilated & Harsh Environments

- Wide operating temperature range -40 to 75°C (-40 to 167°F)
- Fanless operation
- High impact, thermal shock, and electrical noise resistance

## Support

- Complimentary Technical Support
- In-person training and free online training courses available
- Limited Lifetime Warranty

## Specifications





## Interface

- **Ethernet**
  - 4 x 10/100/1000BASE-T(X)
  - 2 x 100/1000BASE SFP/RJ45
- **Alarm Contact**
  - 1 x Relay Output
  - Current Capacity 1A@24VDC
- **LED Indicators**
  - Per Unit: Power 1, Power 2, Power 3
  - Per Port: Link/Activity

## Technology

- **Standards**
  - IEEE 802.3 10BASE-T
  - IEEE 802.3u 100BASE-TX/100BASE-FX
  - IEEE 802.3ab 1000BASE-T
  - IEEE 802.3z 1000BASE-X
  - IEEE 802.3x full duplex and flow control
  - IEEE 802.3af PoE
  - IEEE 802.3at PoE+
- **Forward/Filtering Rate**
  - 14,800pps for 10Mbps
  - 148,810pps for 100Mbps
  - 1,488,100pps for 1000Mbps
- **Processing Type**
  - Store-and-forward
  - Auto-negotiation
  - Half-duplex back-pressure and full-duplex flow control
  - Auto MDI/MDIX

## Switch Properties and Performance

- **Switching Fabric**
  - 12Gbps
- **Jumbo Frame Size**
  - 9KB
- **MAC Table Size**
  - 1K
- **Packet Buffer Memory**
  - 1Mb

## Power

- **Input**
  - 48-56VDC Redundant (Terminal block)+ 48-56VDC Power DIN Connector
- **Power Consumption**
  - 5.76W max@48VDC, without PoE

## Regulatory

- **ISO**
  - Manufactured in ISO-9001 facility
- **EMI**
  - FCC Part 15B Class A
  - EN 55032
  - EN 55024
- **EMS**
  - EN 61000-4-2 (ESD)
  - EN 61000-4-4 (Burst)
  - EN 61000-4-5 (Surge)
- **Safety**
  - UL 60950-1
- **Vibration**
  - IEC 60068-2-6
- **Shock**
  - IEC 60068-2-27
- **Free Fall**
  - EN 60068-2-32

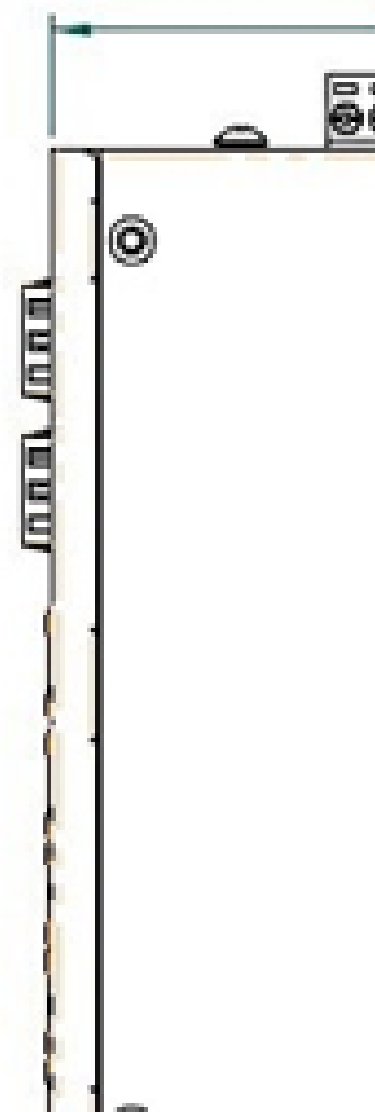
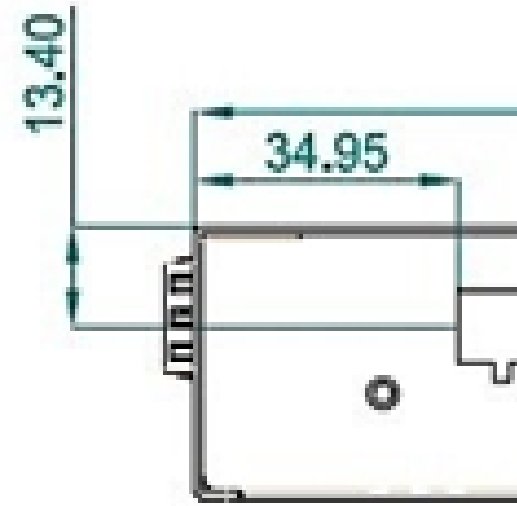
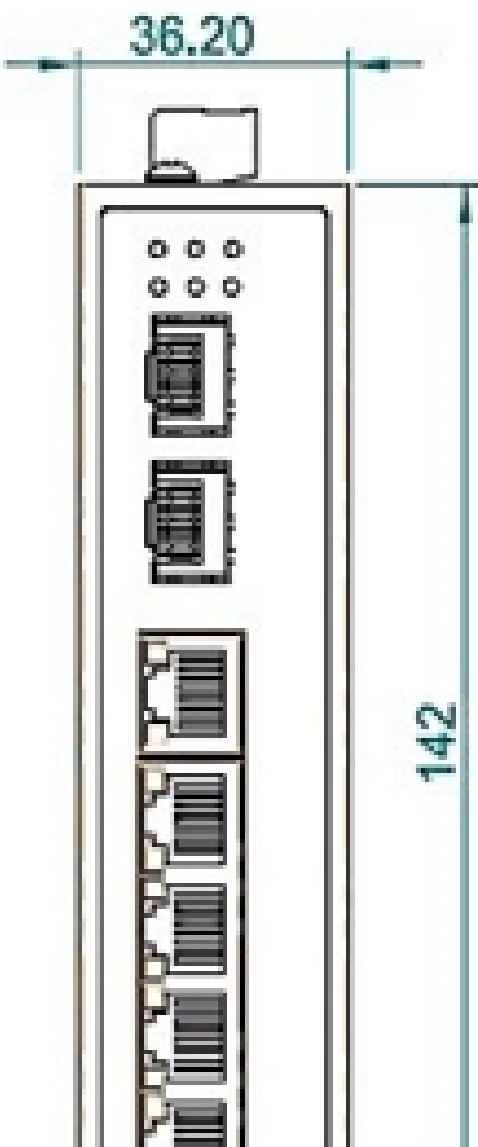
## Warranty

- **Length**
  - Limited Lifetime
- **Details**
  - [www.etherwan.com/support/warranty-policy](http://www.etherwan.com/support/warranty-policy)

## What's Included

- **Device**
  - Switch
- **Installation**
  - Mounting brackets, screws, 6-pin terminal block
- **Documentation**
  - Quick install guide

## Dimensions



Ordering Info

## Model

---

**EX42395AT**

4-port 10/100/1000BASE-T PoE + 2-port Gigabit SFP/RJ45 Combo Ethernet Switch

## Accessories

---

**Hardened SFP Modules**

[www.etherwan.com/products/sfp-fiber-transceiver](http://www.etherwan.com/products/sfp-fiber-transceiver)

**DIN-Rail Power Supplies**

[www.etherwan.com/products/din-rail-power-supply](http://www.etherwan.com/products/din-rail-power-supply)



© EtherWAN Systems, Inc. All rights reserved. 20240906

EtherWAN is constantly developing and improving products. Specifications are subject to change without notice and without incurring any obligation.